

T6006

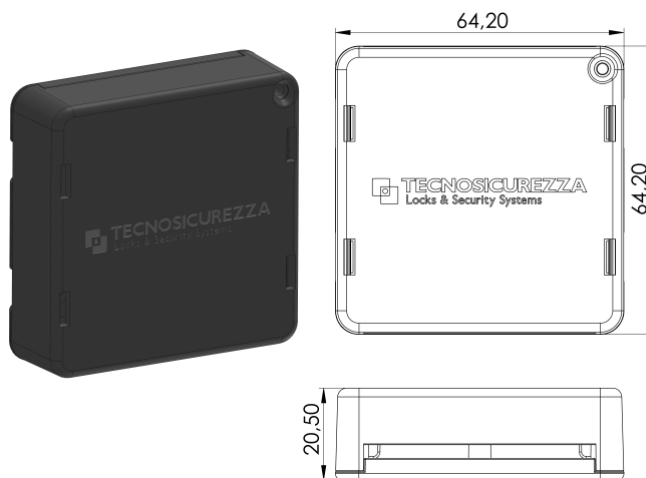
Power supply and alarm interface board for Tecnosicurezza locks

The product T6006 includes:

1. Power supply and alarm interface circuit board
2. Plastic housing
3. 4-wires cable

The interface can be used with all current generations of Tecnosicurezza locks where direct power and/or alarm signal input/output management is required:

- TechMaster, Master
- MiniTech
- DigiTech
- Pulse PRO
- Pulse



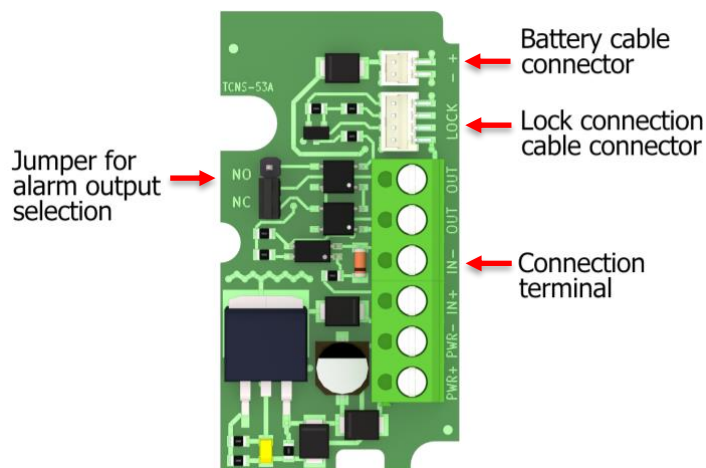
Housing dimensions
64.20mm x 64.20mm x 20.50mm

Features:

- Input power supply voltage 12÷24 Vdc @ 1,5 A max
- Output voltage 9,2 Vdc
- Input remote signal: 5÷50 Vdc @ 50 mA max
- Output hold up: selectable NC or NO 60 Vdc @ 100 mA max
- Power supply with 9 Vdc Alkaline battery

Connections

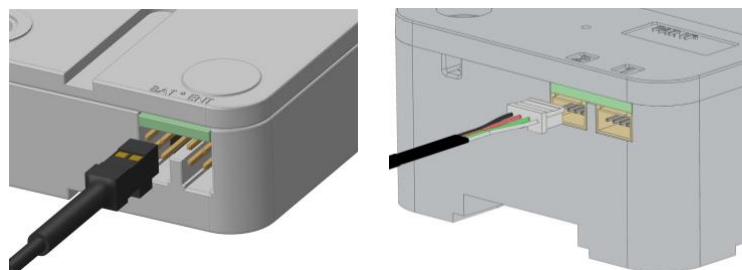
1. PWR +: Positive Vdc+ power supply
2. PWR -: Negative GND power supply
3. IN +: Positive remote signal input
4. IN -: Negative remote signal input
5. OUT: COM alarm output
6. OUT: NC or NO alarm output



To the locks

The interface must be connected to the lock port normally used for the battery ("BAT" or "2" depending on the lock).

*Note: **Pulse** requires the board to be powered to use the Hold Up alarm feature!*



GLOBAL HEADQUARTERS
Tecnosicurezza SpA
Via Cesare Battisti, 276
37057 San Giovanni Lupatoto
Verona
Tel.+39 045 826 64 70
Fax. +39 045 826 64 69
info@tecnosicurezza.it

USA HEADQUARTERS
Tecnosicurezza Inc.
50, Thomas Lane
Versailles, KY 40383
Tel.+1 859 490 89 30
info@usatecno.com

SPAIN HEADQUARTERS
Tecnosicurezza Sa
C/Menor, 4 - Nave 10
Pol. Ind La Mina 28770
Colmenar Viejo
Tel.+34 91 804 33 91
Fax.+34 91 804 32 63
info@tecnosicurezza.es